

Round non-return damper - inside duct

DAOSL-IN



Description

The DAOSL-IN dampers feature a split flap closure and are designed as non-return dampers which allows a single air flow direction only.

Both closure flaps are made of light-weight aluminium sheet and hinged on a steel bar with springs which keep the flaps closed when there is no air flow. This damper is often installed upstream of an air intake or an air exhaust unit to prevent the air backflow. The DAOSL-IN dampers are designed for **inline** duct installation. This saves time and space, and requires fewer installation accessories.

Available materials — Product code examples

DAOSL-IN-... — galvanized steel sheet

DAOSL-K-IN-... — 1.4301/304 stainless steel sheet

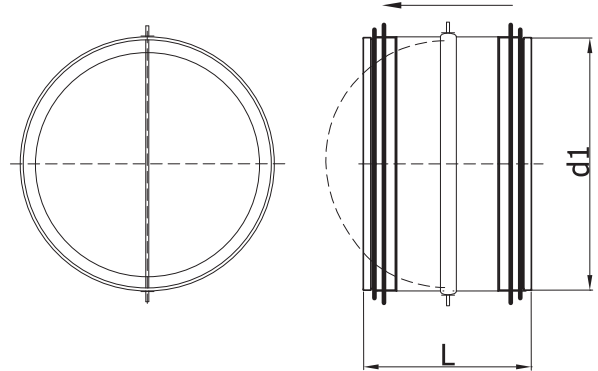
DAOSL-A-IN-... — aluminium sheet

Product code example

Product code: **DAOSL-IN - aaa**

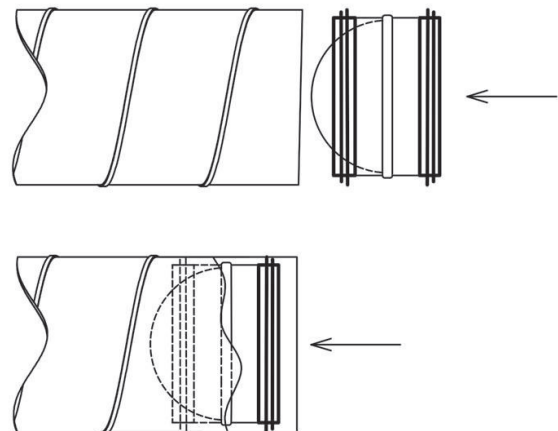
type _____
 $\varnothing d_1$ _____

Dimensions



$\varnothing d_{1\text{ nom}}$ (mm)	L (mm)	Weight (kg)
80	130	0.15
100	130	0.2
125	130	0.25
150	130	0.3
160	130	0.32
200	130	0.4
250	190	0.7

Installation method



Caution!

When pressing the male ends into the ducts, hold the damper around its housing.